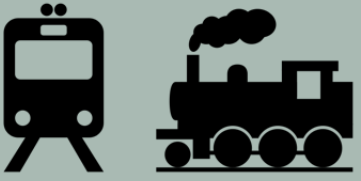




MILS MultiRoad >>>

Solid White Line 32



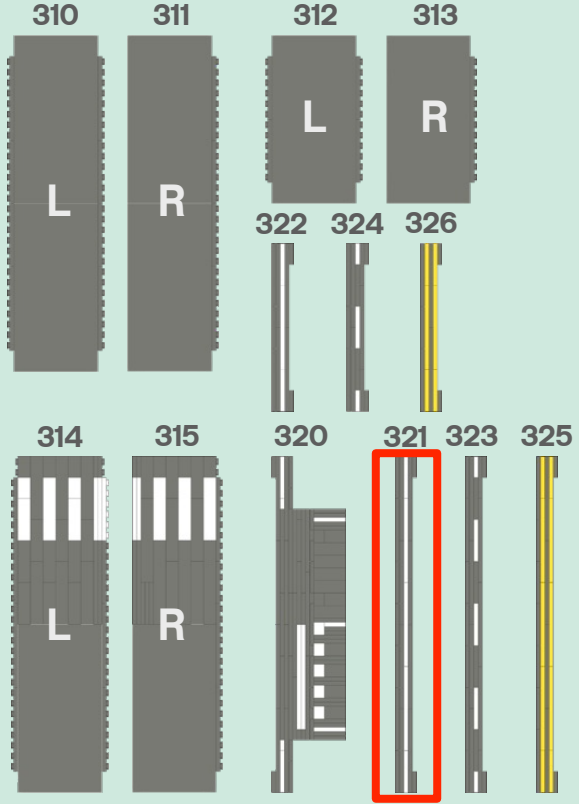
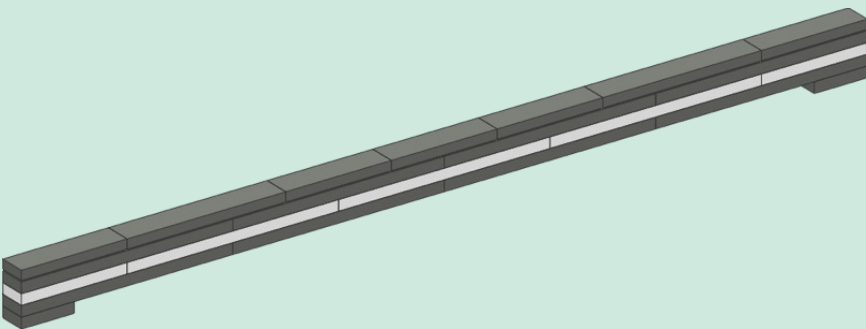
Reference Instructions Sheet

321

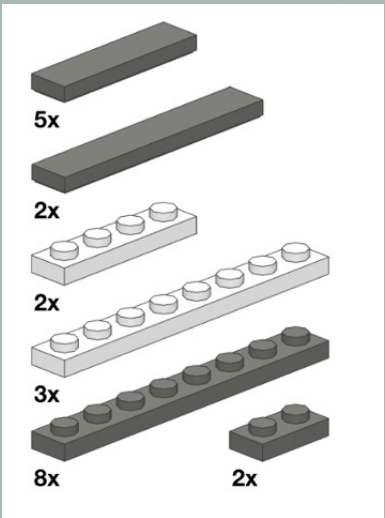
Rev
A



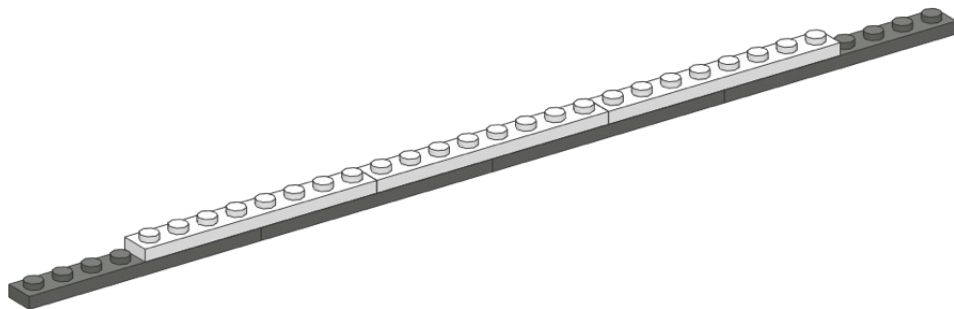
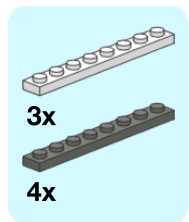
22 pcs



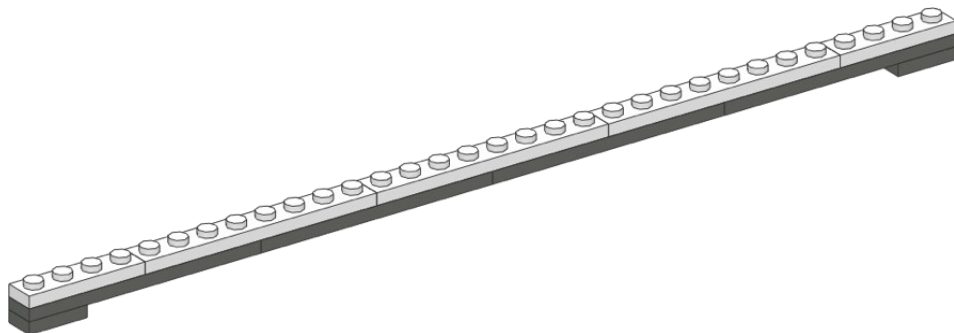
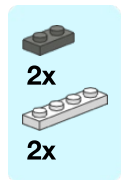
Parts List



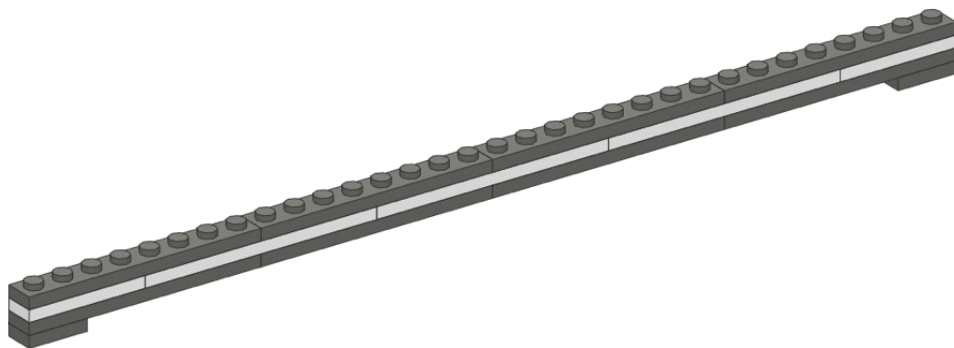
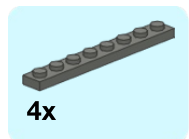
1



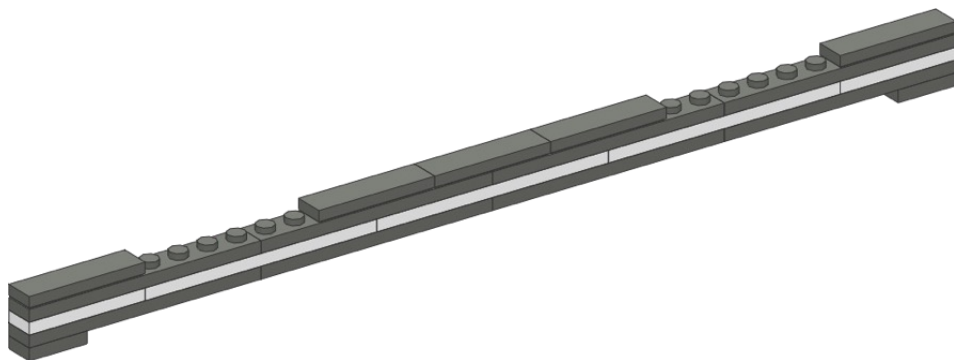
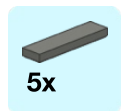
2



3



4



5

