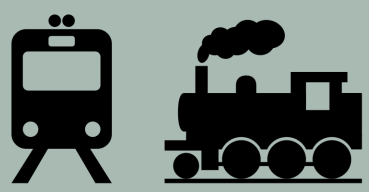




AAR 50 ton Freight Truck



Suitable for North American rolling stock



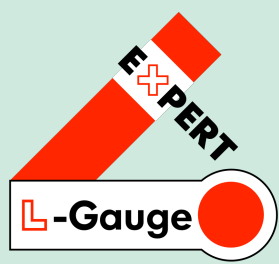
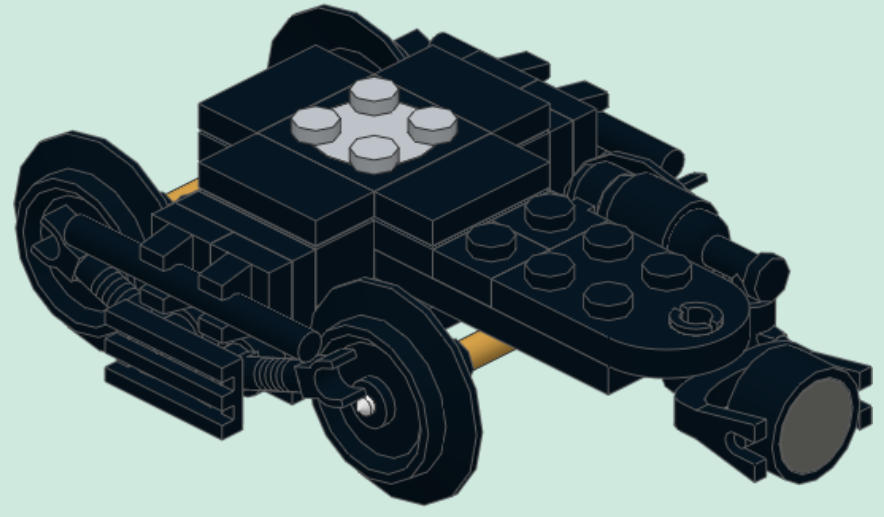
Reference Instructions Sheet

100

Rev
A



These instructions call for the use of non LEGO® brand parts.



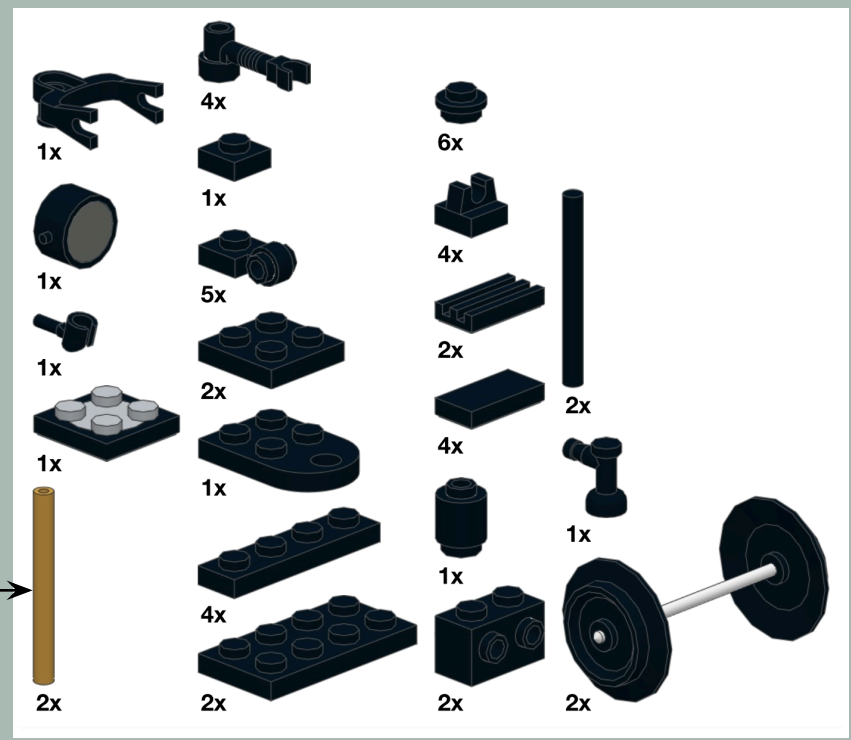
Parts List

Notes

Train wheels must be the type that has a hollow centre hole which the axle passes through (P/N 2878c01)

These instructions require two 1/8 in. (3.18 mm) diameter brass tubes cut to 32 mm long. Tubes should be de-burred with a file after cutting.

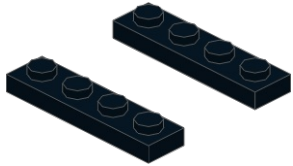
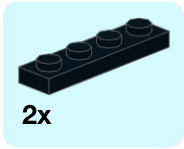
1/8" dia. x 32 mm brass tube
K&S Precision Metals
P/N 8127 1/8 x 0.014 x 12 in. or
P/N 9821 3.0 x 0.45 x 300 mm



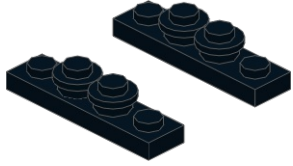
Custom LEGO® set instructions

This set is not an official set. LEGO® is a trademark of the LEGO group of companies which does not sponsor, authorize or endorse this product.

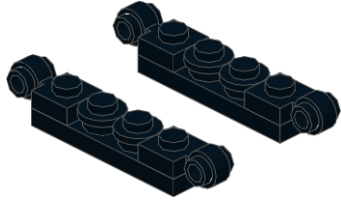
1



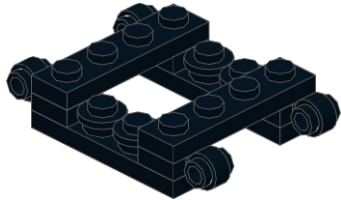
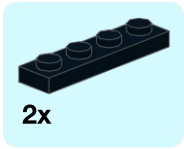
2



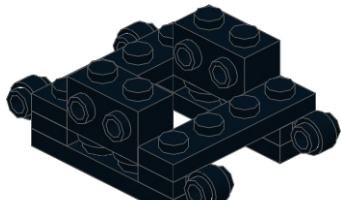
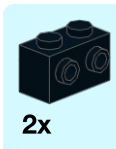
3



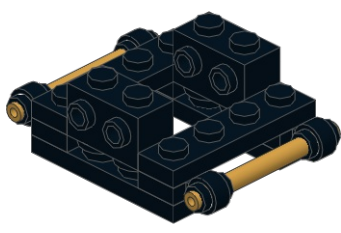
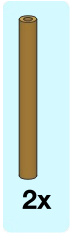
4



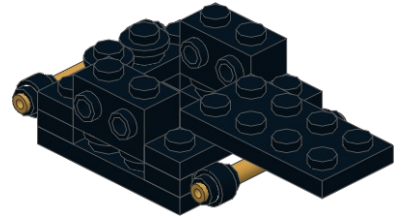
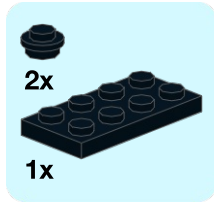
5



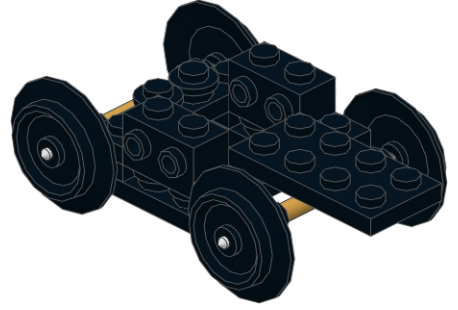
6



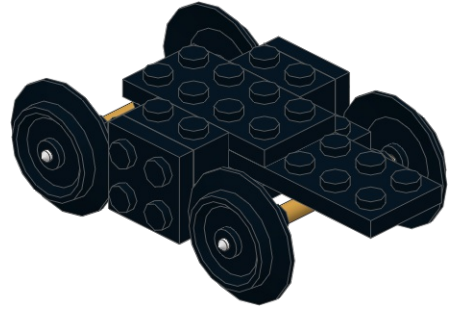
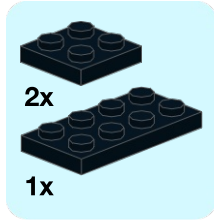
7



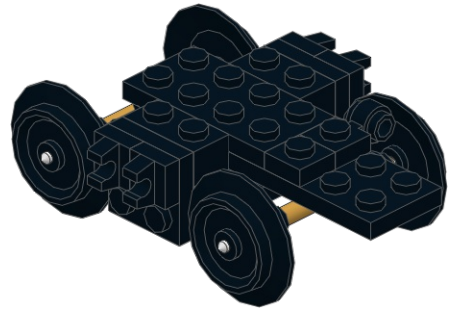
8



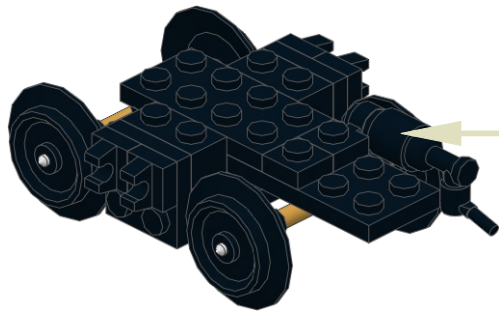
9



10



11



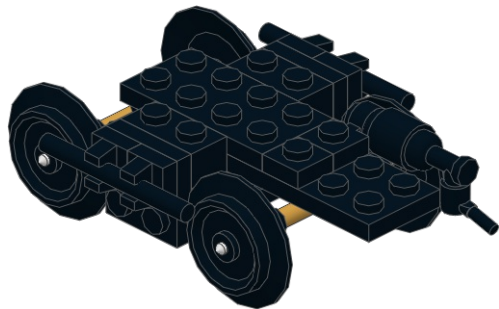
1

1x 1x

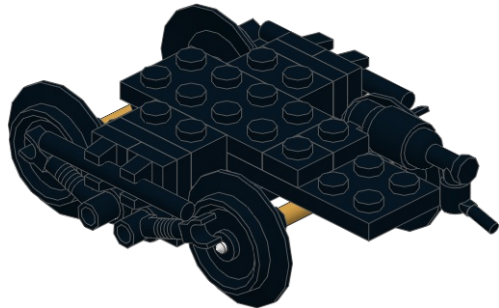
2

1x

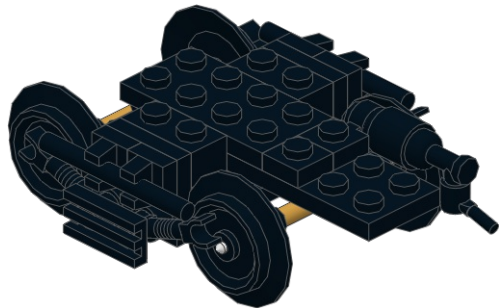
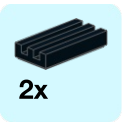
12



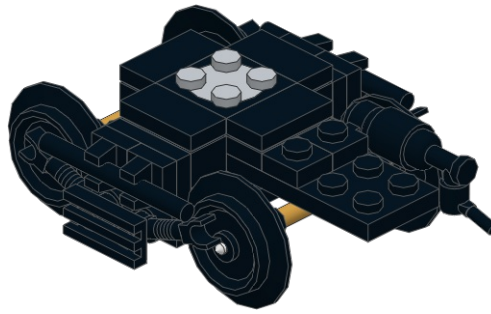
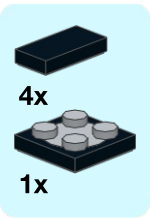
13



14



15



16

